

Name.....Index No...../.....

443/2
AGRICULTURE
Paper 2
July/August 2014
2 Hours

Candidate's Signature.....

Date.....

KAMUKUNJI DISTRICT EVALUATION TEST

Instructions:

Write your name and index number in the spaces provided above.

Sign and write the date of the examination in the spaces provided above.

This paper consists of three sections: **A**, **B** and **C**.

Answer **ALL** the questions in **A** and **B**.

Answer two questions in section **C** on the foolscaps provided.

For examiner's use only

Section	Question	Maximum score	Candidate's score
A		30	
B		20	
C		20	
		20	

Total Score

This paper consists of 8 printed pages Candidates should check the question paper to ensure that both pages are printed as indicated and no questions are missing.

SECTION A (30 MARKS)

Answer **all** questions in this section in the spaces provided.

1. Name the intermediate host of the following: (1mk)

a) Liver fluke (*Fasciola spp*)

b) Tapeworm (*Taenia spp*)

2. Give **four** reasons for feeding a lamb on colostrums. (2mks)

3. State **four** ways of restraining cattle during routine management. (2mks)

4. Why are the following conditions maintained during artificial incubation of eggs? (1mk)

a) Proper ventilation

b) Relative humidity at 60%

5. a) State **one** use of each of the following farm tools: (1mk)

i) Ball pein hammer

ii) Mallet

b) What is the functional difference between a ring spanner and an adjustable spanner? (1mk)

c) Give **four** reasons for maintaining farm tools in good working conditions. (2mks)

6. Outline **four** measures that can be carried out to control egg eating in a deep litter system. (2mks)

7. Name **three** ways of attaching implements to a tractor. (1½mks)

8. Differentiate between the following terms: (3mks)

a) Creep feeding and weaning

b) Oestrus cycle and ovulation

c) Incubation and breeding

9. List **three** breeding practices carried out on sheep.

(1½mk)

10. State **three** reasons for feeding bees.

(1½mks)

11. Give **four** advantages of using concrete in building farm structures.

(2mks)

12. List **three** methods of harvesting fish.

(1½mks)

13. Study the table below and fill in the missing words:

(3mks)

Description	Cattle	Pigs	Poultry
Young from birth/hatching to weaning	Chick
Young female before first parturition	Gilt
Mature male for breeding	Bull

14. Name **two** viral diseases that affect each of the following livestock:

(1mk)

a) Cattle

b) Poultry

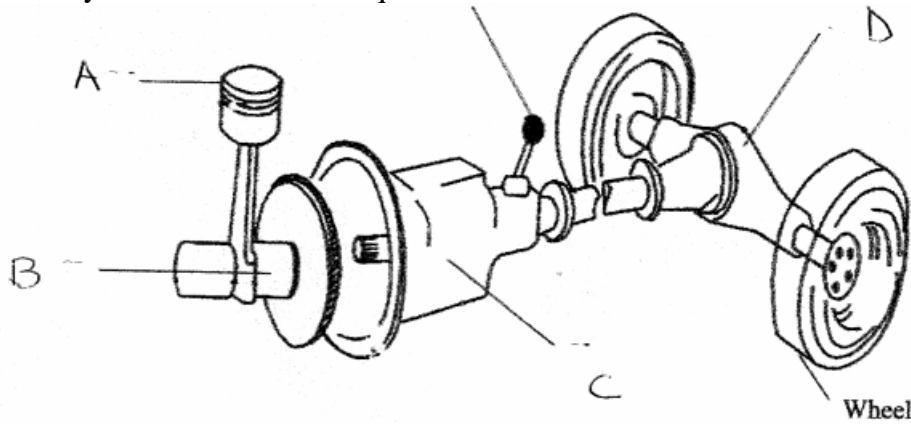
15. State **four** advantages of artificial calf rearing in cattle management. (2mks)

16. Give **two** conditions that inhibit milk let-down during milking. (1mk)

SECTION B (20MARKS)

Answer all questions in the spaces provided.

17. The diagram below shows parts of the transmission system of a tractor. Study it carefully and then answer the questions below:



a) Name the parts labeled **A**, **B**, **C** and **D** on the diagram. (2mks)

A

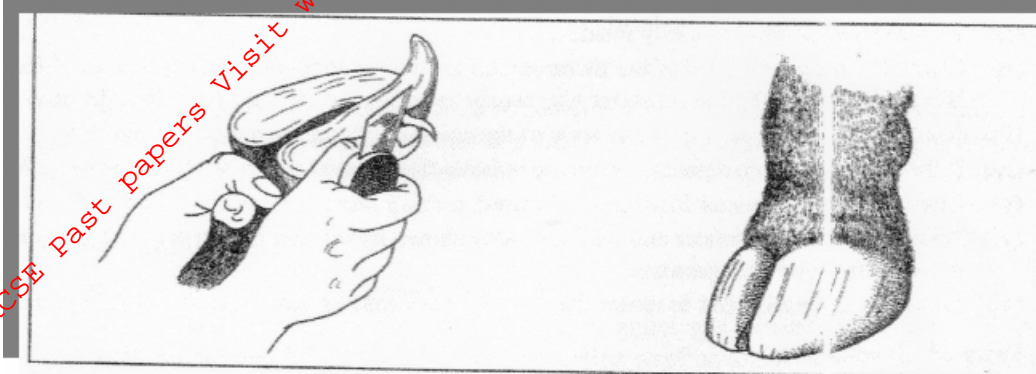
B

C

D

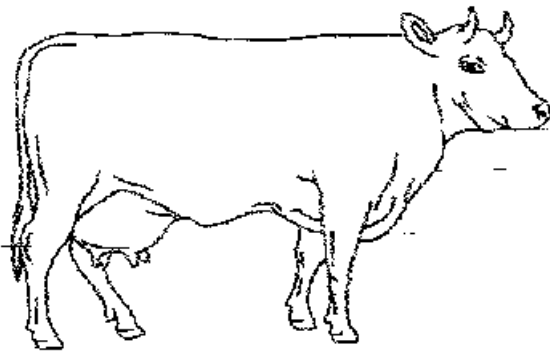
b) State **three** ways in which the power is transmitted from the engine. (3mks)

18. The diagram below shows a routine operation on sheep. Study it carefully and use it to answer the questions that follow below.



- i) Identify the operation. (1mk)
- ii) Give three reasons for the operation. (3mks)
- iii) Name tools used to carry out the operation. (2mks)

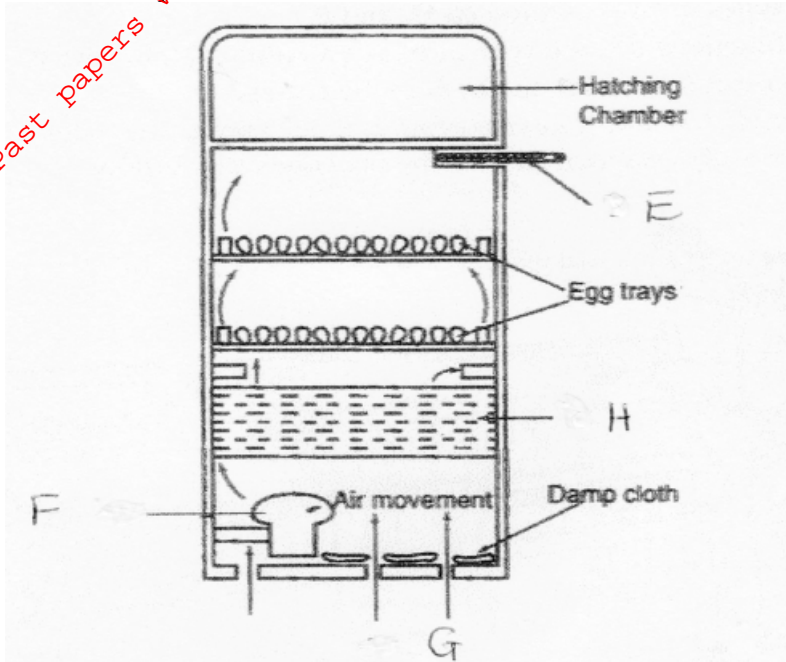
19. The diagram below illustrates the external features of a cow. Study it and answer the questions that follow.



- a) Using the letter **T** with a pointing arrow indicate four areas where ticks are found. (2mks)

b) State **two** chemical methods of controlling ticks. (2mks)

20. The diagram below shows an activity carried out by a poultry farmer. Study it and answer the questions that follow:



a) Identify the activity. (1mk)

b) Name the parts **E**, **F**, **G** and **H**, (2mks)

E

F

G

H

b) State **two** advantages of using the equipment above for chick production. (2mks)

SECTION C (40 MARKS)

*Choose only **two** questions from this section.*

- 21.a) Describe the artificial rearing of chicks from day old up to brooding. (12mks)
b) Describe the characteristics of suitable eggs for incubation. (8mks)
- 22.a) Outline **seven** factors to be considered when planning for the construction of a dairy shed. (7mks)
b) Outline **five** factors that should be considered when siting a dairy shed. (5mks)
c) State **four** components of a dairy shed. (4mks)
d) Give **four** reasons for treating timber before using it for construction. (4mks)
- 23.a) State **four** predisposing factors to the occurrence of mastitis in dairy cattle. (4mks)
b) List the materials and equipment needed in milking and the importance of each. (8mks)
c) Explain how a lactating cow in a dairy herd should be managed during milking. (3mks)
d) Outline **five** qualities of clean and safe milk. (5mks)