

Name

Index No.

School

443/2

AGRICULTURE

Paper 2

July / August - 2014

Time: 2 Hours

MMS JOINT EXAMINATION - 2014

Kenya Certificate of Secondary Education (K.C.S.E)

443/2

AGRICULTURE

Paper 2

July / August - 2014

Time: 2 Hours

INSTRUCTION TO CANDIDATES

- Write your name and index number spaces provided above.
- This paper consists of THREE sections A, B and C.
- Answer ALL the questions in sections A and B and any TWO questions in section C.
- Answers should be written in the spaces provided.

FOR EXAMINER'S USE ONLY

SECTION	QUESTIONS	MAXIMUM SCORE	CANDIDATE'S SCORE
A	1 – 20	30	
B	21 – 24	20	
C	25	20	
	26	20	
	27	20	

*This paper consists of 12 printed pages.
Candidates should check the question paper to ascertain that all the
Pages are printed as indicated and no questions are missing.*

SECTION A (30 Marks)

Answer ALL the questions in this section in the spaces provided.

1. List down TWO classes of cattle breeds based on their place of origin. (1 mk)
.....
.....
2. What is Hybrid vigor or heterosis in breeding? (1 mk)
.....
3. Give TWO maintenance practices carried out on a claw hammer. (1 mk)
.....
.....
4. State FOUR major routes of administering vaccines in a day old chicks. (2 mks)
.....
.....
.....
5. State TWO disadvantages of embryo transplant in livestock breeding. (1 mk)
.....
.....
6. State FOUR reasons of spreading polythene paper on the slab of farm building. (2mks)
.....
.....
.....
7. Give FOUR functions of Vitamin A in the body of an animal. (2 mks)
.....
.....
.....
8. State TWO practices of maintaining a tractor battery. (1 mk)
.....
.....
9. Outline FOUR factors that would determine the use of a Jembe instead of a disc plough in primary cultivation. (2 mks)
.....
.....
.....

10. Give FOUR microbial activities that take place in the rumen of a cow. (2mks)
.....
.....
.....
.....
11. Give FOUR management practices that should be carried out during the mating season in sheep. (2 mks)
.....
.....
.....
.....
12. State the differences between a vector and an intermediate host in livestock production. (1 mk)
.....
.....
13. Give TWO factors that contribute to the depreciation of farm equipment. (1 mk)
.....
.....
14. State TWO safety precautions taken when using workshop tools. (1 mk)
.....
.....
15. Mention TWO reasons of treating timber before roofing farm buildings. (1 mk)
.....
.....
16. State FOUR control measures of tapeworms in livestock. (2 mks)
.....
.....
17. Give FOUR reasons for maintaining farm tools and equipment. (2 mks)
.....
.....
.....
.....
18. Give FOUR factors that should be considered while siting an apiary for the bees. (2 mks)
.....
.....
.....
.....

19. Give any FOUR factors that may influence the pulse rate of a sheep apart from a disease. (2 mks)

.....
.....
.....
.....

20. a) Mention TWO reasons for taking the birth weight of piglets immediately after farrowing. (1 mk)

.....
.....

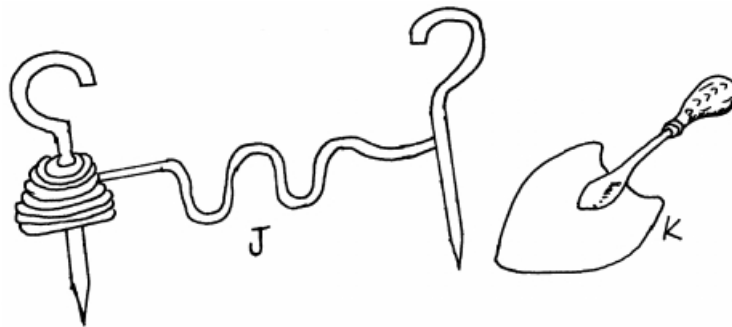
b) Give one reason why piglets are given iron at birth. (1 mk)

.....

SECTION B (20 Marks)

Answer ALL the questions in this section in the spaces provided.

21. Diagrams J and K below illustrate farm tools.



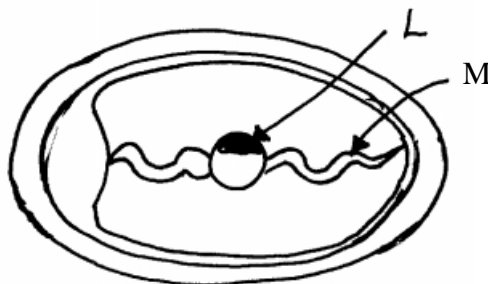
a) Identify tools J and K (1 mk)

.....
.....

b) State one function of tools J and K (2 mks)

.....
.....
.....

22. a) The diagram below shows the part of a fertile egg. Use it to answer the questions that follow.



(i) Name the parts labeled M and L. (1 mk)

.....
.....

(ii) What is the function of the parts labeled M. (1 mk)

.....
.....

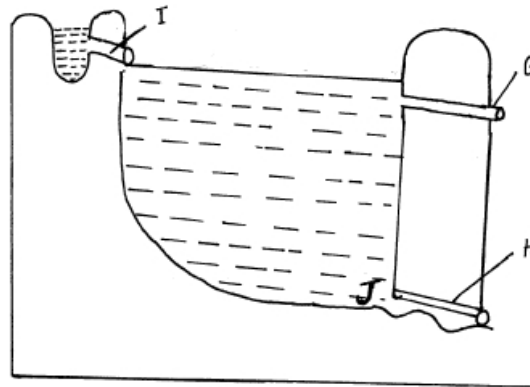
b) Give THREE advantages of natural incubation. (3 mks)

.....
.....
.....
.....

c) Give THREE conditions that reduce the quality of eggs for hatching. (3 mks)

.....
.....
.....
.....

23. a) Below is a diagram of a fish pond. Use it to answer the questions that follow.



(i) Label the parts marked G and H (1 mk)

G:

.....

H:

.....

(ii) Give a reason why part J is usually deeper than the rest of the pond. (1 mk)

.....
.....

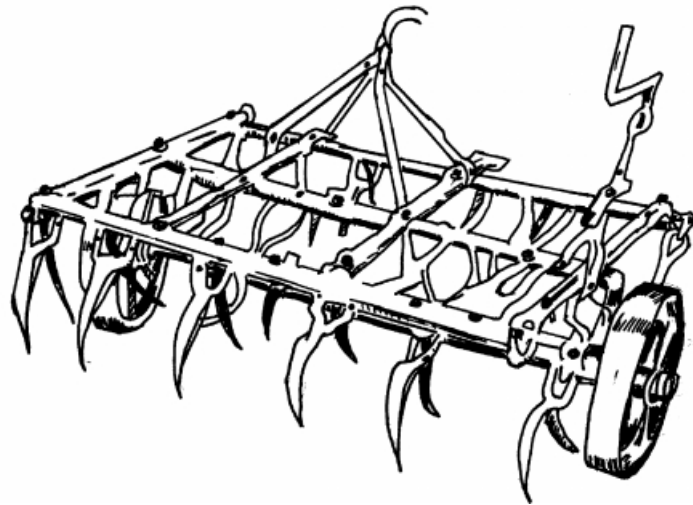
b) Name TWO maintenance practices of a fish pond. (2 mks)

.....
.....
.....

c) State TWO importance of fish farming. (2 mks)

.....
.....
.....

24. Study the diagram below and use it to answer the questions that follow.



a) Identify the implement illustrated above. (1 mk)

.....
.....

b) State one field condition where the implement is most suitable. (1 mk)

.....
.....

c) Outline one major maintenance practice to be carried out on the implement. (1 mk)

.....
.....

SECTION C (40 Marks)

Answer any TWO questions in this section.

25. a) Describe the reasons why bees may abscond from a beehive. (10 mks)

b) Describe the factors considered in siting farm structures on the farm. (10 mks)

26. a) Explain the limitations of tractor power in farm mechanisation. (10 mks)

b) Describe factors to consider when selecting construction materials on the farm. (10 mks)

27. a) Describe the life cycle of a Three – Host – Tick. (8 mks)

b) Explain measures used to control livestock diseases. (12 mks)

For More Free KCSE Past papers Visit www.freekscepapers.com

.....

.....

.....

.....

.....

.....

.....

.....

.....

.....

.....

.....

.....

.....

.....

.....

.....

.....

.....

.....

.....

.....

.....

.....

.....

.....

For More Free KCSE Past papers Visit www.freekcsepastpapers.com

END