

Name:..... Admission no:..... Class:.....

Candidate 's signature:..... Date:.....

444/1

Woodwork

Paper 1

Time 2 hours 30 minutes

MECS JOINT EXAMINATION 2022

Kenya certificate of secondary education

Instructions to candidates

Write your name, admission number and class in the space provided.

Sign and write the examination date in the space provided.

Answer all the questions in the space provided

more free exams at www.freeksepastpapers.com

1. Outline four features common to all saws. (4 marks)

2. Differentiate between wood carving and wood turning. (2 marks)

3. State two safety precautions to be observed for each of the following activities (4 marks)

(a) Carrying hand tools.

(b) Storing hand tools.

4. State four effects of using unseasoned wood. (4 marks)

5. List two functions of each of the following parts of a tree:

(a) roots: (2 marks)

(b) Trunk. (2 marks)

6. Using pictorial sketches, show the following:

(a) Double tenon: (2 mks)

(b) Twin tenon. (2 marks)

7. (a) State two advantages of using a roller in painting. (2 marks)

(b) Sketch and label a wooden veneer hammer. (3 marks)

8. Describe two methods used to prevent splitting of wood at the back when boring. (4 marks)

9. (a) State two precautions to be observed when working with a steel tape. (2 marks)

(b) List four factors that influence the selection of a finish. (2 marks)

10. Figure 1 shows a plane figure.

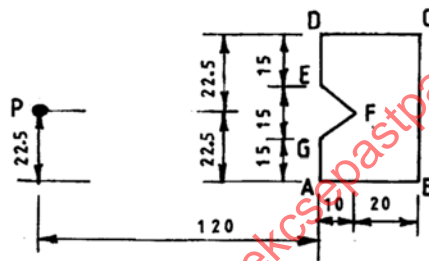


Figure 1

Copy the figure and construct a similar figure with the side reduced in the ratio of 2:1

Use point 'p' as the focal point

(5 marks)

11. (a) State six characteristics of a laquer.

(3 marks)

(b) With the aid of a labelled sketch, outline the use of a test strip in preparation for staining a work piece.(9 marks)

(c) Describe two types of spokeshave.

(3 marks)

12. (a) Explain the cutting action of a cross-cut saw teeth.

(6 marks)

(b) With the aid of sketches, describe the following techniques of matching veneers: (9 marks)

(i) book matching:

(ii) slip matching:

(iii) diamond matching,

(9 marks)

13. Figure 3 shows a tool used in woodwork.

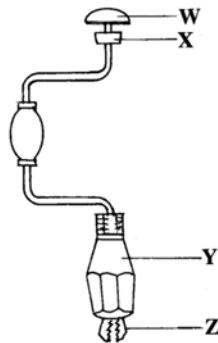


Figure 3

(i) Name the tool:

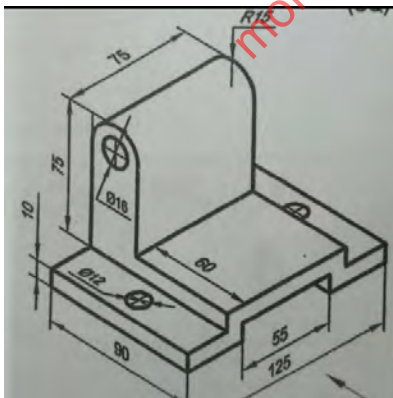
(ii) Name the parts labelled W, X, Y and Z.

(iii) State one function of each of the parts labelled W, X, Y and Z. (9 marks)

(b) List four areas of study in woodwork after studying woodwork in high school. (2 marks)

14. State four mistakes to avoid when giving first aid treatment for simple burns. (4 marks)

15. Draw the views in first angle projection (15 marks)



16. Figure 4 shows a picture frame.

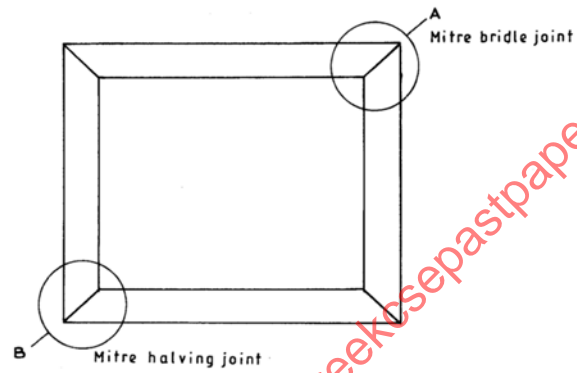


Figure 4

(4 marks)

Sketch an exploded view of the joints labelled A and B.

more free exams at www.freeksepastpapers.com